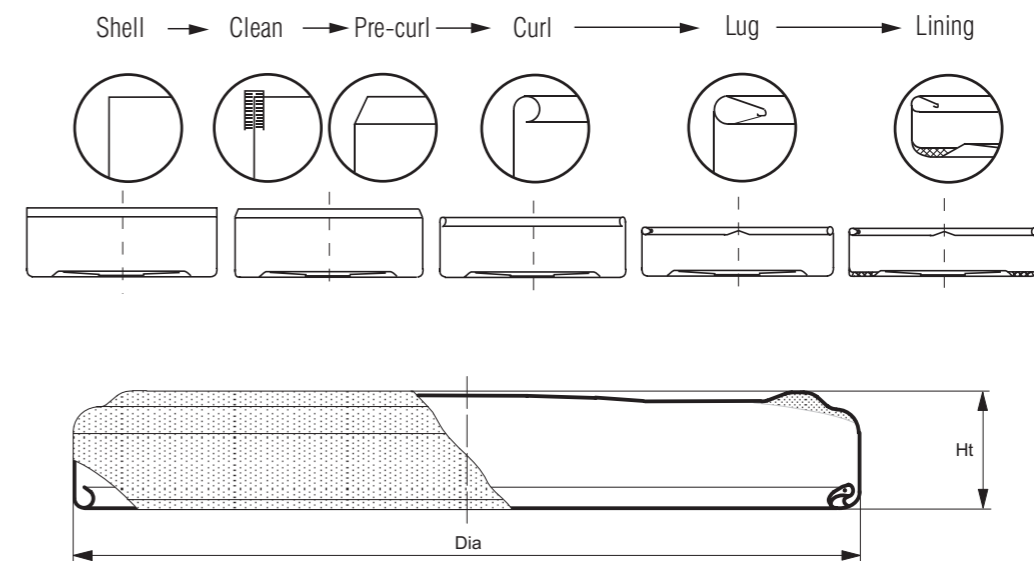




METAL CLOSURES

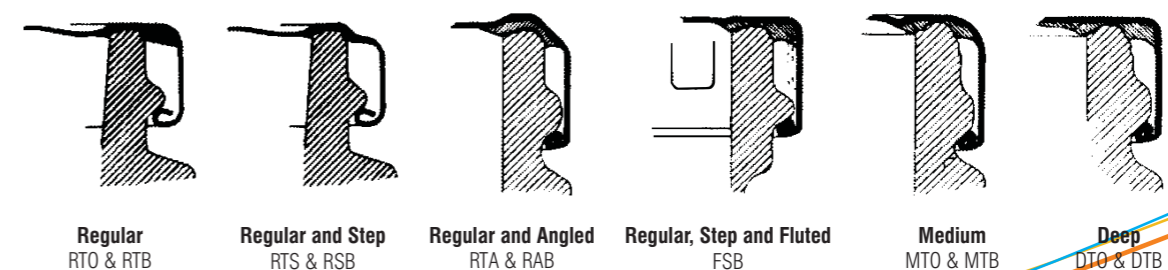


Production process - flow



Cap size	Dia max	Ht max	MTO	MTB	RTO	RTB	RTS	RSB	RTA	RAB	FSB	DTO	DTB
30	33.70	12.90	✓	✓									
38	41.90	9.90			✓	✓							
43	44.80	8.90			✓	✓							
48	50.00	8.90			✓	✓							
53	56.50	9.90					✓	✓					
58	60.50	9.90					✓	✓					
63	66.70	9.90			✓	✓	✓	✓	*	*			
66	69.70	9.90					✓	✓					
70	73.50	9.90					✓	✓			✓	*	*
77	79.90	9.90					✓	✓					
82	85.20	10.90					✓	✓			✓		

MTO - medium twist-off
 MTB - medium twist-off button
 RTO - regular twist-off
 RTB - regular twist-off button
 RTS - regular twist-off step
 RSB - regular twist-off step button
 RTA - regular twist-off angled
 RAB - regular angled button
 FSB - fluted regular step button
 DTO - deep twist-off
 DTB - deep twist-off button
 ✓ - available * - under development



TWIST-OFF LUG CAPS

Metal Closures Private Limited
(an ISO 9001:2008 certified company)

Corporate office: 12th K.M., Kanakapura Road, Bangalore 560062, India.
Ph: +91 80 2608 7200 Fax +91 80 2632 0020
e-mail: admin@metalclosures.com www.metalclosures.com